

HI-POWER ENERPAC NUT SPLITTER

NC Series Nut Cutters



▼ Shown from left to right: NC-3241, NC-1319, NC-1924



- Compact and ergonomic design, easy to use
- Unique angled head design
- Single-acting, spring return cylinder
- Heavy duty chisels can be reground
- Applications include service trucks, piping industry, tank cleaning, petrochemical, steel construction, mining, etc.



◀ Easily removing rusty nuts during railroad construction is just one of many application examples for the Enerpac Nut Splitter.

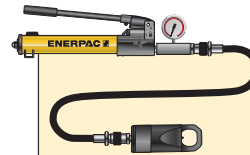
NC, STN Series



Capacity:
5 - 90 ton

Bolt Range:
M6 - M48

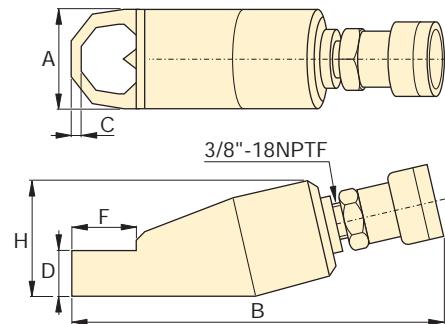
Maximum Operating Pressure:
700 bar



Tool and Pump Sets

Hydraulic Nut Splitters are available as sets (pump, tool, gauge, gauge adaptor, couplers and hose) for your ordering convenience.

Nut Splitter Modelnr.	Handpump Modelnr.	Set Model Number
NC-1924	P-392	STN-1924H
NC-2432	P-392	STN-2432H
NC-3241	P-392	STN-3241H



Nut Splitters include a spare chisel, a spare set screw and the wrench used to secure the chisel. A CR-400 coupler is standard.

Bolt Range (mm)	Hexagon Nut Range (mm)	Capacity ton	Oil Capacity (cm ³)	Model Number	Dimensions (mm)						Replacement Chisel Model Number	
					A	B	C	D	F	H		
M6-M12	10 - 19	5	15	NC-1319	40	170	7	19	28	48	1,2	NCB-1319
M12-M16	19 - 24	10	20	NC-1924*	54	191	10	26	40	62	2,0	NCB-1924
M16-M22	24 - 32	15	60	NC-2432*	64	222	13	29	51	72	3,0	NCB-2432
M22-M27	32 - 41	20	80	NC-3241*	75	244	17	36	66	88	4,4	NCB-3241
M27-M33	41 - 50	35	155	NC-4150	94	288	21	45	74	105	8,2	NCB-4150
M33-M39	50 - 60	50	240	NC-5060	106	318	23	54	90	128	11,8	NCB-5060
M39-M48	60 - 75	90	492	NC-6075	156	393	26	72	110	181	34,1	NCB-6075

* Available as Tool-Pump Set, see note on this page.
Ordering Notes: Maximum allowable hardness to split is HRC-44. Not to be used on square nuts.